



**SPORTSMAN**

*Owner's Manual and  
Quick-reference Guide 2018*



# Table of Contents

<i>Topic</i>	<i>Page</i>
Introduction	3
Important Information	4
Specifications	5
Overall Dimensions & Terminology	6
Features & Performance	7
Certifications & Registrations	11
Boating Safety	12
Electrical & Plumbing Systems	18
Fuel System	28
Boating Navigation Rules	33
Warranty & Services	34
Contact Information	37



# Introduction

## WELCOME TO THE SPORTSMAN TEAM!

Here at Sportsman Boats, we take great pride in producing the finest, most well designed saltwater fishing and pleasure boats on the market today. Our designs incorporate the most modern technology while applying good old “Common Sense” technology as well. From our advanced composite construction, ergonomic console designs, patented “Total Access” hatch, and superior ride and handling characteristics, we think you will agree that Sportsman is setting a new standard.

We do not take lightly the confidence you have placed in us with your decision to purchase your Sportsman boat. We will always strive to provide for you and your family the superior customer service you deserve. We hope that you enjoy your time out on the water as much as we enjoy building your Sportsman boat!

Safe Boating and Tight Lines,  
*Tommy Hancock and Dale Martin*

# SPORTSMAN

---



# Important Information

<b>BOAT INFORMATION / SPECIFICATIONS</b>	
MODEL:	HULL SERIAL #:
PURCHASE DATE:	DELIVERED:
IGNITION KEY #:	REGISTRATION #:
DRAFT:	WEIGHT:
VERTICAL CLEARANCE:	
<b>ENGINE / PROPELLER INFORMATION</b>	
ENGINE MAKE:	MODEL:
ENGINE SERIAL #:	
PROPELLER MAKE:	# OF BLADES:
DIAMETER / PITCH:	MODEL:
PART #:	
<b>OPTIONAL EQUIPMENT / OPTION PACKAGES</b>	
<b>TRAILER INFORMATION</b>	
MAKE:	MODEL:
SERIAL #:	GVRM:
ADDITIONAL INFORMATION:	
DEALER	SPORTSMAN
NAME:	PHONE:
PHONE:	REPRESENTATIVE:
SALES PERSON:	ADDRESS:
SERVICE MANGER:	
ADDRESS:	

We recommend filling out the information in this table and keeping one copy of this page in your personal records and one copy with your owner's manual. This information will be important should you need to contact your dealer or Sportsman Boats Manufacturing for technical assistance and/or service.

# SPORTSMAN



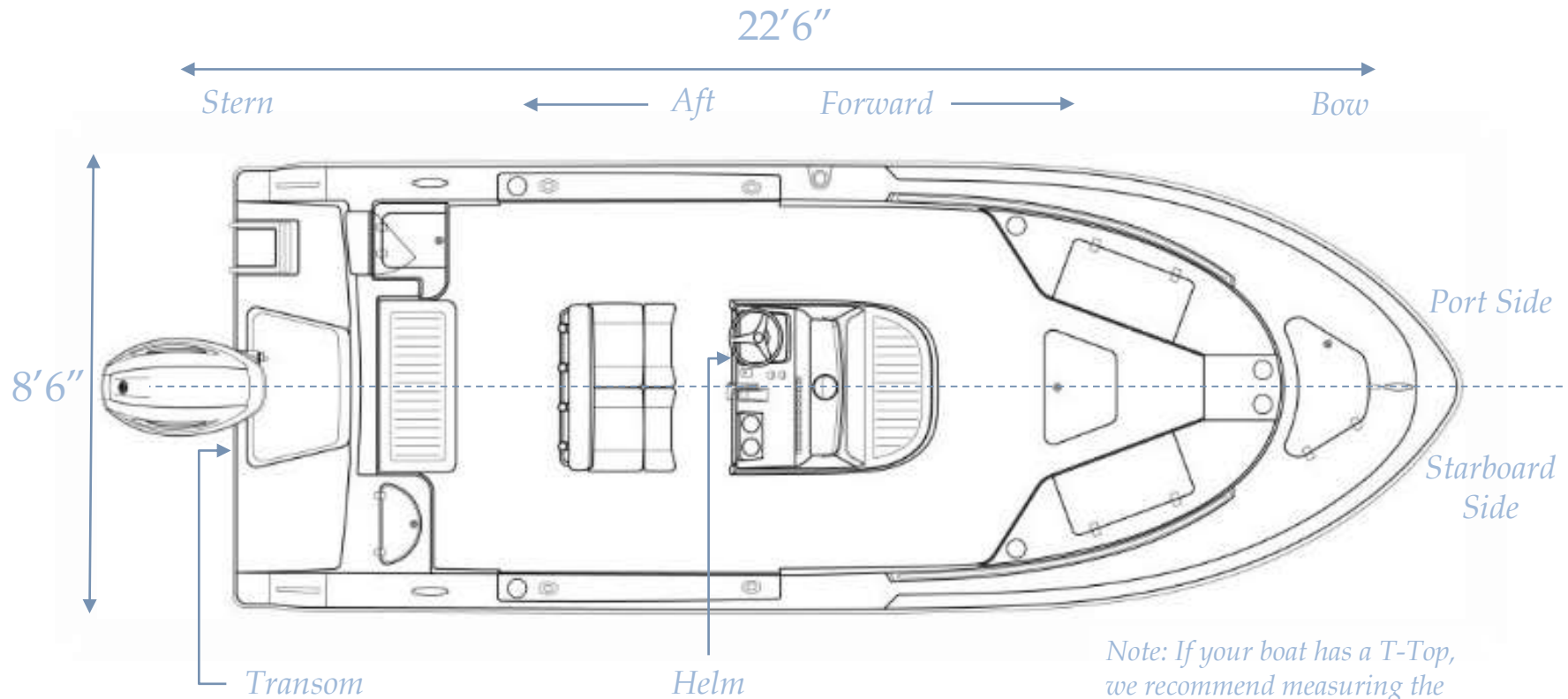
## Specifications

Length Overall	22'6"
Beam	8'6"
Draft	14"
Deadrise at Bow	55°
Deadrise at Entry	18°
Approximate Usable Fuel Capacity	98 gal.
Approximate Dry Weight	2750 lbs.
People Capacity	10 persons
Maximum Engine Horse Power	250 HP (4 Stroke)

**SPORTSMAN**



# Overall Dimensions & Terminology



*Note: If your boat has a T-Top, we recommend measuring the trailered height of your boat for towing safety purposes. This height may depend on the specific trailer being used.*

# SPORTSMAN



# Features & Performance

## Feature Packages

### Limited Package (Standard Features)

- SportTech™ Advanced Fabrication Process
- SportLink™ Electronics Integration System
- Simrad NSS9 EVO3 9" GPS w/Built-In Wi-Fi
- Airmar SS60 Thru-Hull Transducer
- 10-Year Hull Warranty
- 103 Gallon Fuel Tank w/ Fuel Level Sensor
- 25 Gallon Livewell w/ Livewell Pump
- 4 Flush Mount Gunwale Rod Holders
- Advanced Fiberglass Stringer System (No Wood)
- All White Hull (Sides & Bottom)
- Anchor Storage
- Bow Cushion Set w/ Bolsters
- Built-In Swim Platform w/ 3 Step Ladder
- Camel Cushions
- Cockpit Bolsters
- Console Footrest w/ Glove Box & Storage Bin

### Powder Coat Selection

- Black - White

- Console Windscreen
- Dash Panel Cover
- Deluxe Leaning Post w/ Flip Up Bolsters
- Dual Battery Configuration w/ Switch & Trays
- Grip Tex Yacht Style Non-Skid
- High Speed Livewell Pick Up
- Under Gunwale Rod Racks
- Horn
- Hydraulic Tilt Steering
- Insulated Bow Storage
- Interior LED Lighting Package
- Lockable Console Storage
- Marine Bluetooth Stereo w/ 4 Speakers
- NMMA Certified
- Port and Starboard Toe Rail
- Pull-Up Cleats

### Color Selection

- Driftwood
- Ice Blue
- Island Blue
- Jet Black
- Sea Mist Green
- Silver Cloud
- Steel Blue
- White

- Raw Water Washdown
- Rear Fold Down Seat w/ Access
- Recessed Bow Hand Rails
- Removable Bow Backrest
- Rub Rail Navigation Lights
- Self Bailing Cockpit
- Stainless Steel Cup Holders - 8
- Stainless Steel Drain Covers
- Stainless Steel Propeller
- Stainless Steel Rub Rail
- Stainless Steel Steering Wheel w/ Knob
- Stainless Steel Switches
- Trim Tabs w/ LED Indicator
- Underlid Gasket
- USB & 12V In-Dash Charging Plug

# SPORTSMAN



# Features & Performance

## Feature Packages

*Note: If you purchased the Open 232 Offshore or Platinum Package, the Offshore or Platinum Package features are additional to the standard features previously listed.*

### Available Options

- Simrad NSS12 EVO3 12" GPS Upgrade
- Second Simrad NSS9 EVO3 9" GPS
- Simrad RS20 VHF Radio w/ Antenna
- 4G Radar (req. Hard-Top)
- StructureScan® HD Transducer
- StructureScan® 3D Transducer
- Airmar SS175M CHIRP Transducer Upgrade
- Simrad WM-3 Weather Receiver SiriusXM
- Auto Pilot
- Auto Pilot (req. Optimus Power Steering)
- Auto Pilot Wireless Remote
- Bimini Top
- Bow Filler Board w/ Cushion - Camel
- Bow Filler Board w/ Cushion - UltraLeather® White
- Compass
- Console Cover
- Custom Color Engine
- Dark Hull Color(Black/St Blue)\*\*
- Deluxe T-Top w/ LED Lighting

### Platinum Package

- Compass
- Fiberglass T-Top with LED Lighting
- Freshwater Washdown
- Helm Pad
- Light Hull Color
- Matching Underside Color
- Misters
- Porta Potty
- Powder Coating
- Spray Shield
- Underwater Lights

- Edson 13" SS Comfort Grip Steering Wheel w/ PowerKnob
- Fiberglass Hard-Top w/ LED Lighting
- Fiberglass Leaning Post w/ Built-In 30 gal. Livewell
- Fiberglass LP w/ Tackle Center
- Freshwater Washdown w/ 15 gal. Tank
- Gull Wings
- Gunwale Rod Holders / Each
- Helm Pad
- Light Hull Color
- Matching Hard-Top Underside Color
- Misters (Hard-Top only)
- Mooring Cover (req. Top)
- On-Board Battery Charging System
- Porcelain Head (Pump Out only)
- Porta Potti
- Powder Coating for Ski Tow Bar\*
- Powder Coating\*
- Premium Bench Seat (req. Fiberglass LP)
- Premium Sound System Upgrade(Hard-Top)\*\*\*

### Stereo Upgrade

- JL Speakers
- JL Amplifier
- 8" Amplified Subwoofer

### Sport Package

- Compass
- Deluxe Top & LED Lighting
- Freshwater Wash-down
- Helm Pad

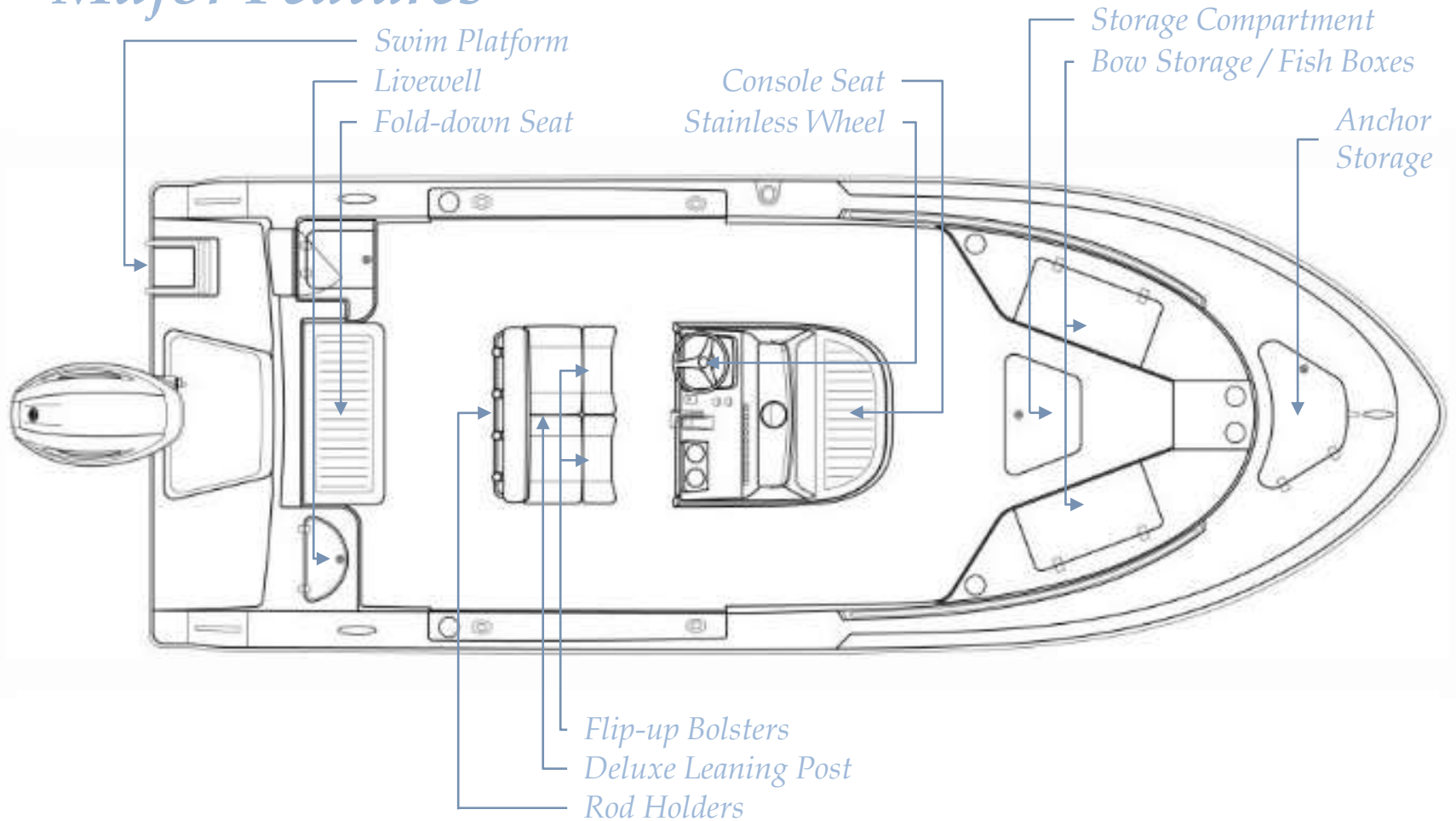
- Premium Sound System Upgrade (w/o HT)\*\*\*
- Ski Tow Bar
- Slide Out Cooler
- Spray Shield
- Sun Shade w/ Poles - Front
- Sun Shade w/ Poles - Rear
- T-Top Cargo Net (Deluxe T-Top only)
- Table (Removable) w/ Mount - Bow
- Taco Outriggers - GS280
- Tilt Optimus Power Steering
- Transhield Shipping Cover
- Under Leaning Post Tackle Storage
- Underwater Lights
- Dark Hull Color(Black/St Blue)\*\* Upgrade
- Upgraded UltraLeather® White Cushions
- Windlass w/ Anchor, Roller, 300' of Line
- Fiberglass Hard-Top w/ LED Lighting(Upgrade)





# Features & Performance

## Major Features



# SPORTSMAN

# Features & Performance

## 200 HP



### PERFORMANCE BULLETIN

YFBF F6\_SPT\_Open232\_F200XB\_2014-08-18\_OCC Test Date: 02/04/13



**Sportsman® Open 232**

Length	22' 9"
Beam	8' 8"
Dry Weight (incl. out. motor)	2,750 lbs
Maximum HP	250
Fuel Capacity	103 gal
Weight as Tested	4,040 lbs



**F200XB**

Horsepower	200 HP
Induction	EFI
Displacement	2.8 L
Weight	480 lbs
Gear Ratio	1.88

**ENGINE MOUNTING HEIGHT**

Mounting Hole Position	#0
Ventilation Plate Height	3/4" Above Basal Bottom

**PROPELLERS**

Series	Balance Series-SDS
Diameter/Pitch	14-1/4 x 17
Yamaha Part #	88F-49272-10-00
Propeller Material	Polished Stainless Steel

**TEST CONDITIONS**

Number of People	2
Air / Water Temperature (ambient)	80 / 85° F
Elevation (in feet above sea level)	Sea Level
Wind Velocity	5-10 mph

**PERFORMANCE DATA**

RPM	MPH	GPH	MPG
1000	5.0	0.7	7.14
1500	6.7	1.3	5.15
2000	8.2	2.1	3.91
2500	11.1	3.5	3.17
3000	17.4	4.9	4.05
3500	23.8	5.7	5.75
4000	28.7	7.4	3.88
4500	33.5	9.7	3.45
5000	38.4	13.5	2.84
5500	43.4	17.4	2.48
5850	46.1	19.5	2.36

Time to Plane: 4.42  
0-30 MPH: 0.56




**Comments:** Test weight includes 1/2 tank of fuel, 3 batteries, optional Trim, safety, and gun gear.

**Notice to Consumer:**

**For more information:**  
Yamaha Motor Corporation, U.S.A.  
2681 Cypress Point Drive  
1975 Cypress Point Way  
Westborough, MA 01581 • (508) 897-9600  
For other Performance Bulletins, visit [www.yamaha-motor.com](http://www.yamaha-motor.com).

© 2014 Yamaha Motor Corporation, U.S.A. All rights reserved.



## 250 HP



### PERFORMANCE BULLETIN

YFBF F6\_SPT\_Heritage231\_F250XA\_2013-07-18\_000 Test Date: 02/04/13



**Sportsman® Heritage 231**

Length	22' 9"
Beam	8' 8"
Dry Weight (incl. out. motor)	2,750 lbs
Maximum HP	250
Fuel Capacity	103 gal
Weight as Tested	4,340 lbs



**F250XA**

Horsepower	250 HP
Induction	EFI
Displacement	3.3 L
Weight	608 lbs
Gear Ratio	2.00

**ENGINE MOUNTING HEIGHT**

Mounting Hole Position	#0
Ventilation Plate Height	1" Above Basal Bottom

**PROPELLERS**

Series	Sabotour Series 4-SDS
Diameter/Pitch	15 x 21
Yamaha Part #	88E-45572-00-00
Propeller Material	Polished Stainless Steel

**TEST CONDITIONS**

Number of People	2
Air / Water Temperature (ambient)	56 / 60° F
Elevation (in feet above sea level)	Sea Level
Wind Velocity	5-10 mph

**PERFORMANCE DATA**

RPM	MPH	GPH	MPG
1000	5.0	0.7	4.30
1500	7.0	1.3	3.54
2000	8.6	2.1	2.77
2500	13.2	4.8	2.75
3000	20.6	6.8	3.00
3500	29.2	8.0	3.65
4000	35.7	10.4	3.40
4500	40.5	12.0	3.38
5000	46.2	14.9	3.10
5500	50.9	17.4	2.93
5800	52.9	22.1	2.38

Time to Plane: 3.97  
0-30 MPH: 0.60




**Comments:** Test weight includes 1/2 tank of fuel, 3 batteries, optional Trim, safety, and gun gear.

**Notice to Consumer:** The information and data contained in this Performance Bulletin is approximate and subject to many different factors and variables. It is provided as a guideline only, and should not be relied upon as representative of actual performance. Your boat's performance may be different than the information contained in this Performance Bulletin due to various factors, including dry weight, hull weight, wind and wave conditions, temperature, humidity, elevation, bottom type, load capacity, loading, maintenance and/or load weight, and operator ability. Please confirm the specifications and performance data of your specific boat/engines combination with your dealer prior to purchase. Please also keep in mind the the data contained in this Performance Bulletin or this file has been factored using Yamaha's standard components. Yamaha reserves the right to change the specifications and performance data of this Performance Bulletin at any time without notice. This document contains many of Yamaha's valuable trademarks. It may also contain trademarks belonging to other companies. Any reference to other companies or their products are for identification purposes only, and are not intended to be an endorsement.

**For more information:**  
Yamaha Motor Corporation, U.S.A.  
One Dryden Drive  
12700 Dryden Road, Wixom  
Farmington, MI 48334 • (517) 897-9600  
For other Performance Bulletins, visit [www.yamaha-motor.com](http://www.yamaha-motor.com).

© 2013 Yamaha Motor Corporation, U.S.A. All rights reserved.

Note: The 250 HP bulletin is for the Heritage 231, but the 232 has the same performance. These are posted on our website at <http://sportsmanboatsmfg.com/open-232-center-console/>

# SPORTSMAN



# Certifications & Registrations

## *NMMA Certification*

Sportsman Boats is certified by the National Marine Manufacturers Association (NMMA). NMMA certification not only meets the standards of the United States Coast Guard (USCG), but goes further to meet the standards set by the ABYC (American Boat and Yacht Counsel). All Sportsman models have been designed, constructed, and thoroughly tested to meet or exceed these standards. For more information about these standards, you may visit <http://www.nmma.org/certification/boats>.

## *Hull Identification Number & Registration*

Sportsman has a permanent record of your boat. This record is documented during the manufacturing process. It is identified by its "Hull Identification Number" (HIN). **The HIN is a 12-digit code located on the starboard side of the transom, just under the Rub Rail.** When contacting your dealer concerning maintenance or warranties, please have your HIN and model number available. This information can be found on your copy of the warranty card. Federal and State laws require a power boat to be registered in the state where it is primarily used. Registration numbers and validation stickers must be displayed according to regulations. The registration certificate must be on board when boating. The boat serial number, or Hull Identification Number (HIN), is required on the registration form. The HIN should be included on all documents or any correspondence.

# Boating Safety



## LIGHTING

Your Sportsman boat is equipped with navigation lights which comply with both Inland and International rules.

## FIRE EXTINGUISHER

At least one Type-1 hand held portable fire extinguisher must be carried on board. For boats over 20' two are required. Check extinguisher regularly for charge status.

## REQUIRED SAFETY EQUIPMENT

The US Coast Guard (USCG) requires that every boat have specific equipment on board. Check with local regulations on mandatory equipment apart from the list of Coast Guard requirements.

## SOUND SIGNALING DEVICES

Your Sportsman boat is equipped with an electric horn which meets the USCG requirements for a sound signal device.

## PERSONAL FLOTATION DEVICE (PFD)



You must have a USCG approved personal flotation device of Type I, II, or III aboard for each passenger, in addition to one Type IV throw able PFD. **Always wear a PFD when boating.** In some states, children are required to wear a PFD at all times. Check your local regulations.

## VISUAL DISTRESS SIGNALS



USCG approved visual distress signals are required for day and night use when operating on US waters. Approved signals include flares, orange smoke, an orange distress flag, or an electric distress light.



Being on the water is a great experience, but it can become a bad experience very quickly if safety and maintenance instructions of your boat are not followed. Therefore, warnings and notices have been included in order to help you operate and maintain your boat safely. They are defined as follows:

 **WARNING** 

HAZARDS OR UNSAFE PRACTICES WHICH COULD RESULT IN SEVERE PERSONAL INJURY OR DEATH.

 **DANGER** 

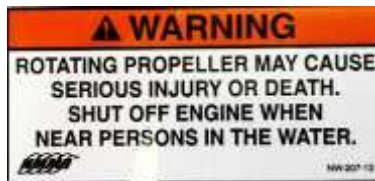
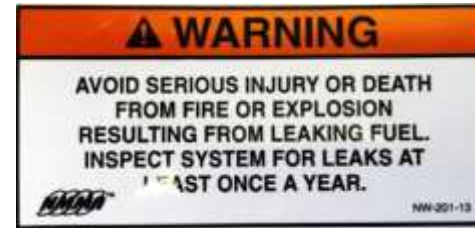
IMMEDIATE HAZARDS WHICH WILL RESULT IN SEVERE PERSONAL INJURY OR DEATH.

Please become familiar with the location and content of the Caution, Warning, and Danger Labels found on your boat.

# Boating Safety



Your Owner's Manual was written to include safety instructions to ensure safe operations. Safety alert symbols are used to show potential personal injury hazards.



Every precaution has been taken to reduce the risks associated with death, possible injury and damage from fire or explosion. You must also take your own necessary precautions and practice proper maintenance procedures in order to enjoy the optimal safe operation of your boat.

*If your label is damaged. Please call Sportsman's parts department for replacement stickers.*

# Boating Safety



Your boat produces carbon monoxide and uses flammable fuel. Carbon monoxide can cause brain damage or death. Carbon monoxide is colorless, odorless and extremely dangerous.

**⚠ DANGER**



**Carbon monoxide (CO)** can cause brain damage or death.

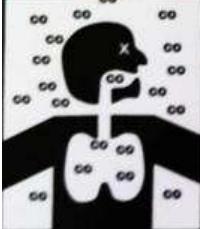
Engine and generator exhaust contains odorless and colorless carbon monoxide gas.

Carbon monoxide will be around the back of the boat when engines or generators are running.

Move to fresh air, if you feel nausea, headache, dizziness, or drowsiness.

NW-206-13

**⚠ WARNING**



**Carbon monoxide (CO)** can cause brain damage or death.

Engine and generator exhaust contains odorless and colorless carbon monoxide gas.

Signs of carbon monoxide poisoning include nausea, headache, dizziness, drowsiness and lack of consciousness.

Get fresh air if anyone shows signs of carbon monoxide poisoning.

See Owner's Manual for information regarding carbon monoxide poisoning.

**SPORTSMAN**

# Boating Safety Label Locations



## MAXIMUM CAPACITIES

**10 PERSONS OR 1800 LBS.**

5200 LBS. PERSONS, MOTOR, GEAR  
250 H.P. MOTOR

THIS BOAT COMPLIES WITH U.S. COAST GUARD SAFETY STANDARDS IN EFFECT ON THE DATE OF CERTIFICATION

MEETS U.S. EPA EVAP STANDARDS USING CERTIFIED COMPONENTS

MANUFACTURER: Sportsman Boats Manufacturing, Inc.,  
Summerville, SC

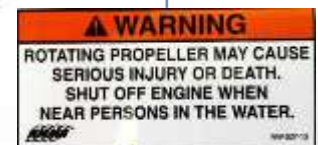
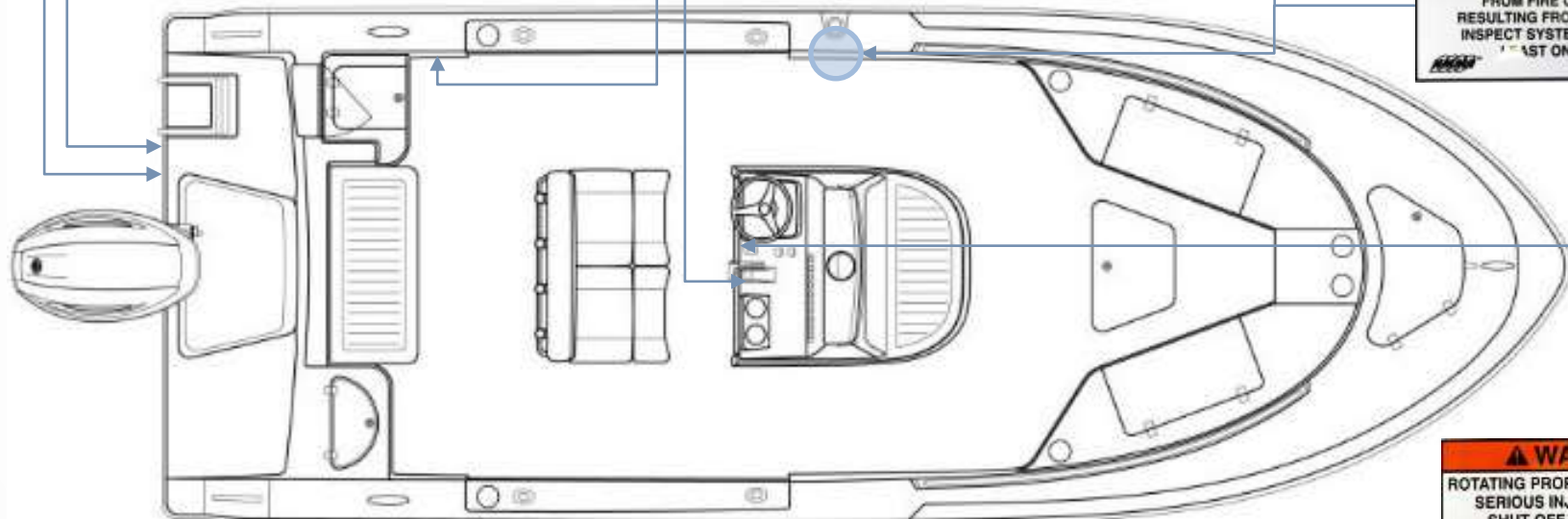
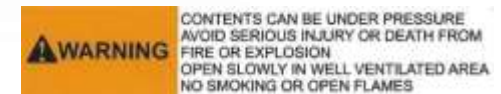
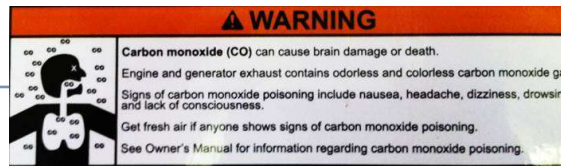
MODEL: Open 232

BOAT COMPLIES WITH AREA REQUIREMENTS IN VEHICLES MANUFACTURED AFTER 1996 FOR PROXIMITY WARNING

AMERICAN CERTIFIED NATIONAL MARINE MANUFACTURERS ASSOCIATION

**MEETS U.S. EPA EVAP STANDARDS USING CERTIFIED COMPONENTS**

Sportsman Boats Mfg. Summerville, SC



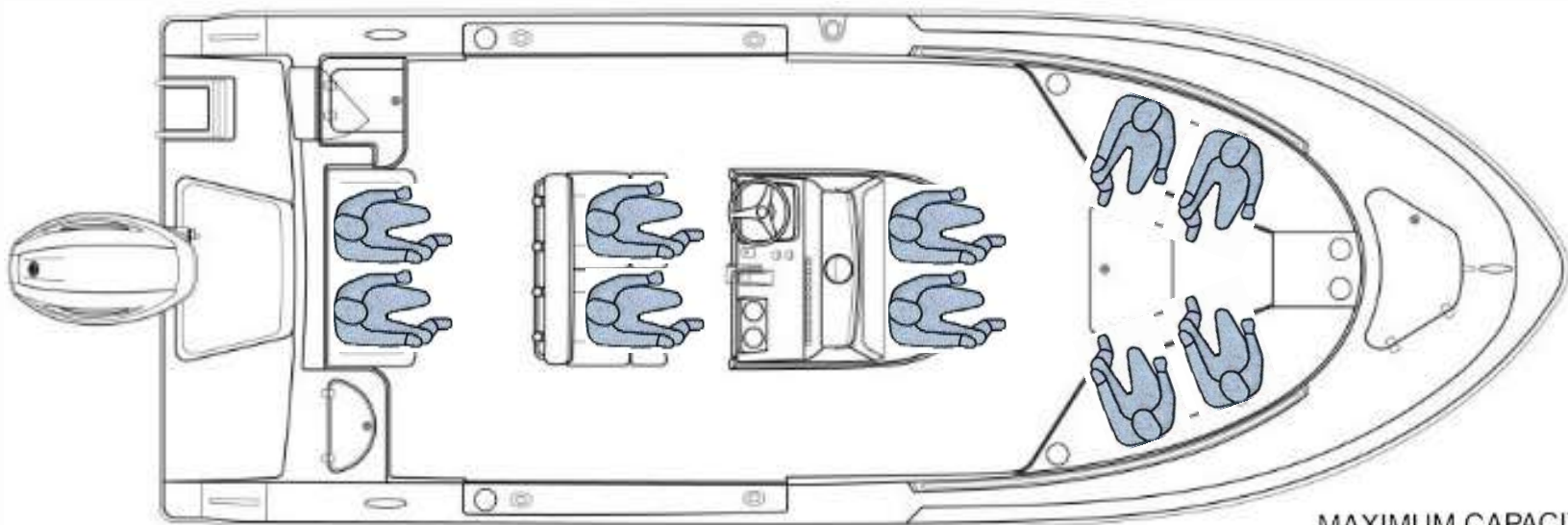
**SPORTSMAN**



# Boating Safety



The Sportsman Open 232 has a 10 Person Capacity. Seating locations are shown below.



## MAXIMUM CAPACITIES

**10 PERSONS OR 1800 LBS.**

5290 LBS. PERSONS, MOTOR, GEAR  
250 H.P. MOTOR

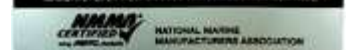
THIS BOAT COMPLIES WITH U.S. COAST GUARD SAFETY STANDARDS IN EFFECT ON THE DATE OF CERTIFICATION

MEETS U.S. EPA EVAP STANDARDS USING CERTIFIED COMPONENTS

MANUFACTURER: Sportsman Boats Manufacturing, Inc., Summerville, SC

MODEL: Open 232

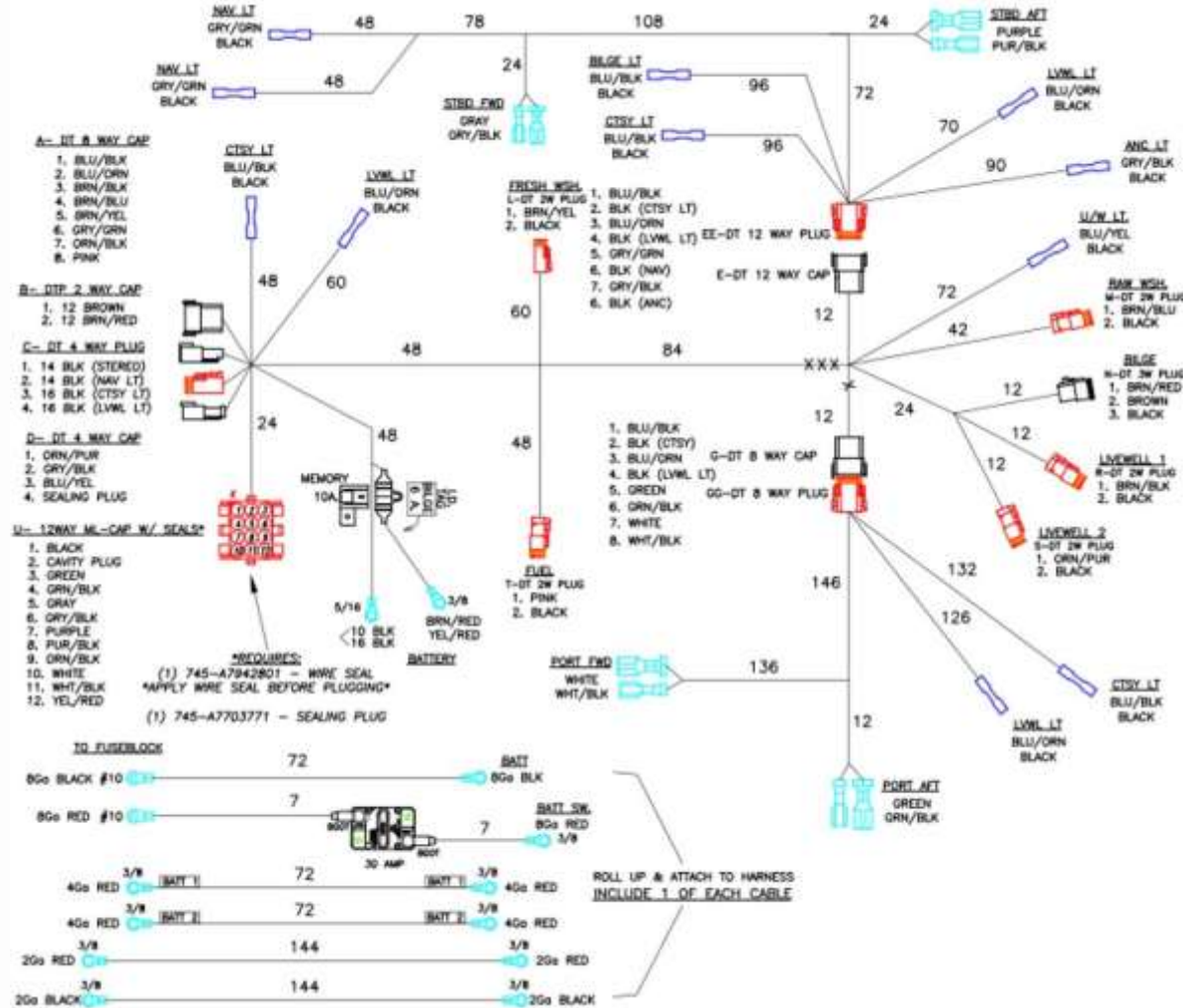
DESIGN COMPLIANCE WITH ABYC REQUIREMENTS IS VERIFIED. MANUFACTURER RESPONSIBLE FOR PRODUCTION CONTROL.



# SPORTSMAN

# Electrical & Plumbing Systems

## Wire Harness



Fuse Panel

The fuse panel is located under the console. It is clearly labeled for easy identification. The bilge pump's 6 amp fuse is also located here. There is also a 30 amp breaker branching off the main battery switch. **If an electrical component of your boat stops working properly, this should be the first place to look.**

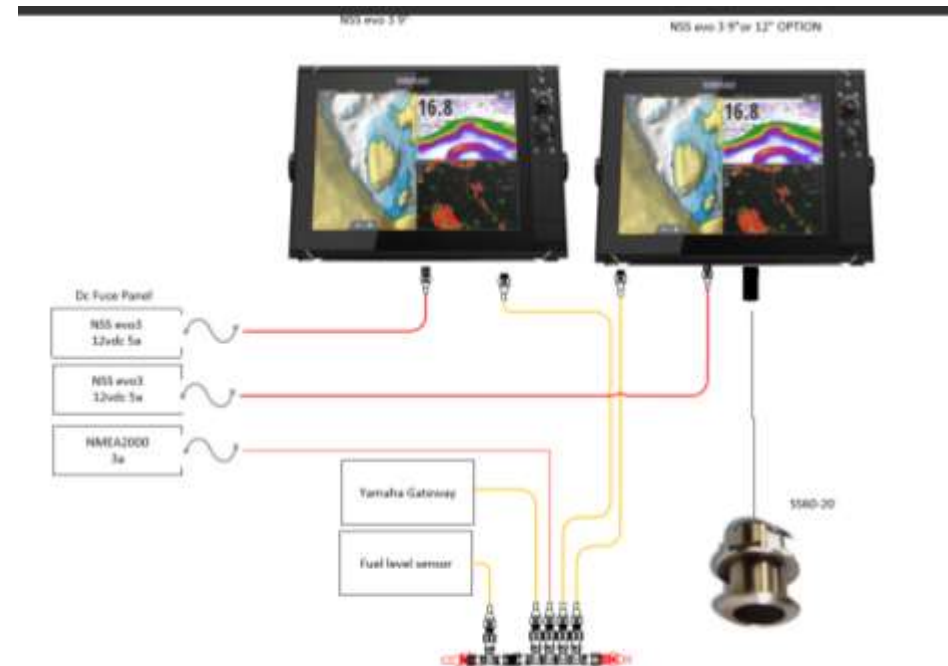


# Electrical & Plumbing Systems

## Simrad 9" Package

Sportsman offers the Simrad NSS EVO3 Multi-function display, which integrates the following functions of the boat:

- Structure Scan Capability
- Sonar
- Radar Capability
- Navigation
- Engine Instruments
- Coastal Charts



# SPORTSMAN



# Electrical & Plumbing Systems

## Simrad 9" Package (cont'd)

Model Year 2018 | Factory Certified Packages

**NSS9 evo3 Package**



Models: Heritage 211 & 231, Open 212 & 232



**Available Options**

<b>WIDEVIEW 3D CHIRP DISPLAY</b>  <ul style="list-style-type: none"> <li>• 3D visualization of fish</li> <li>• 3D visualization of bottom</li> <li>• 3D visualization of structure</li> </ul>	<b>WIDEVIEW 3D CHIRP DISPLAY</b>  <ul style="list-style-type: none"> <li>• 3D visualization of fish</li> <li>• 3D visualization of bottom</li> <li>• 3D visualization of structure</li> </ul>	<b>STRUCTURESCAN 3D</b>  <ul style="list-style-type: none"> <li>• Unique 3D view</li> <li>• Improved structure, clearer fish images</li> </ul>	<b>STRUCTURESCAN HD</b>  <ul style="list-style-type: none"> <li>• Superior imaging</li> <li>• Superior imaging</li> </ul>	<b>BLU VIEW RADIO</b>  <ul style="list-style-type: none"> <li>• DSC Capability Class D</li> <li>• Dual and 5-watt function</li> <li>• NMEA 2000 compatible</li> </ul>
<b>BUCHERHARDT HC BALCON</b>  <ul style="list-style-type: none"> <li>• Power Steering</li> <li>• Advanced Target Detection</li> </ul>	<b>NMEA 2000 NETWORK WITH OPTION</b>  <ul style="list-style-type: none"> <li>• Tailored data capability</li> <li>• Solid State Sensor</li> <li>• NMEA 2000 connectivity</li> </ul>	<b>BLUPOINT WITH REMOTE</b>  <ul style="list-style-type: none"> <li>• Distributed flexibility and engine features</li> <li>• Up to 32 in Range</li> </ul>	<b>BMW &amp; BEATLES MOUNTS</b>  <ul style="list-style-type: none"> <li>• Mount Marine Zone Covers</li> <li>• 1000Watt Music Power</li> <li>• External connectivity</li> </ul>	

The Sportsman Open 232 includes a 9" Simrad unit as a standard feature. The transducer is located on the hull bottom at the stern of the boat. The Infinity Black box is another standard feature of the Open 232 and is located on the inside wall of the console. The Infinity stereo system is controlled through the Simrad unit.



# Electrical & Plumbing Systems

## Lights

The *NAV/ANC Switch* is a 3-position switch on the console that controls the running lights.

- **NAV** position will turn on the red and green navigation lights and the white all-round light for night driving.
- **ANC** turns on the all-round light only for night anchoring. Do not operate the boat in anchor position.
- Off is in the center position.

**Sidelights:** The Open 232 has integrated rub rail navigational lights installed at the bow (see figure to the right). A green light is located on the starboard (right) side and a red light on the port (left) side of the vessel. Each shows an unbroken light over an arc of the horizon of 112.5 degrees and is fixed to show from ahead to just behind the beams of the vessel on its respective side.

**All-round/Anchor Light:** This is a white light placed over the highest unobstructed point of the vessel, showing an unbroken light over an arc of the horizon of 225° and fixed to show from anywhere ahead, to just behind the beams of the vessel. See the figure to the right for location.

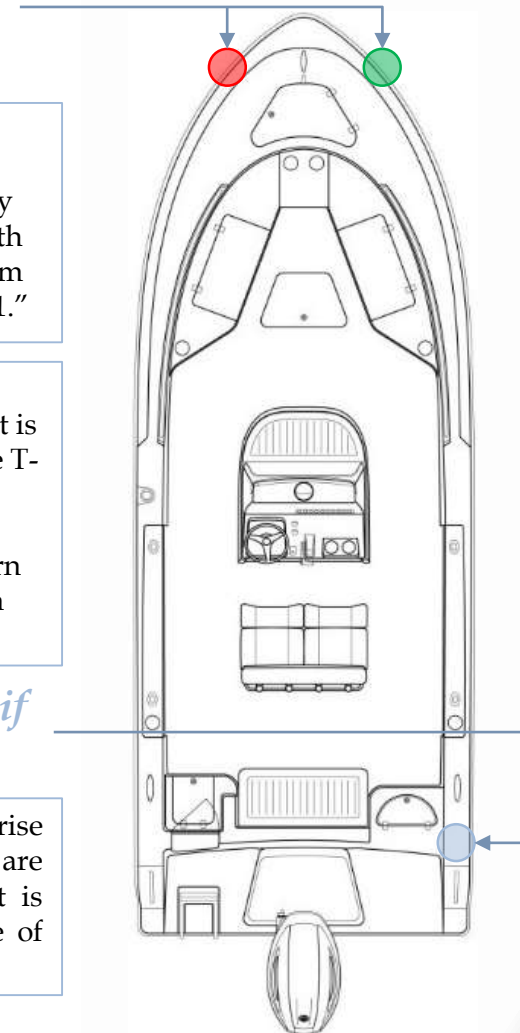
Recreational boats are required to display navigation lights between sunset and sunrise and other periods of reduced visibility (fog, rain, haze, etc.) Navigation lights are intended to keep other vessels informed of your presence and course. Your boat is equipped with the navigation lights required by the U.S. Coast Guard at the time of manufacture. It is up to you to make sure they are visible, operational and turned on.

### Bow Sidelights

If you have the underwater lights option installed, they can be turned on with the switch at the helm labeled "Accessory 1."

If your boat has a T-Top, the anchor light is located on top of the T-Top at the aft end. With no T-Top, the location is at the stern of the boat as shown here.

### Anchor Light if no T-Top





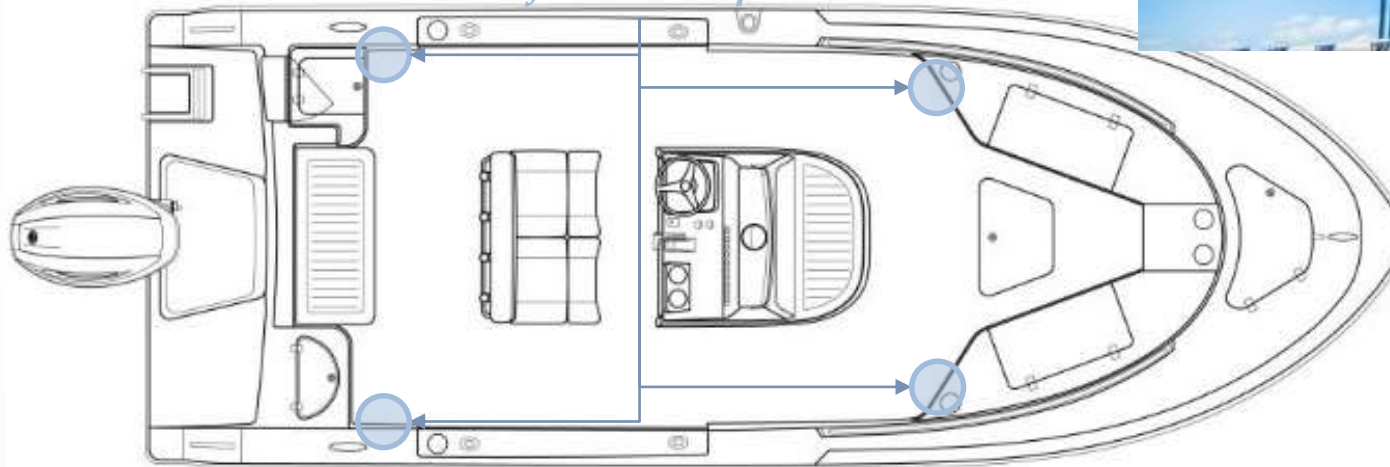
# Electrical & Plumbing Systems

## Stereo

Your boat is equipped with an Infinity black box located inside the console with 4 Infinity speakers. The speaker locations are shown below. The stereo system interfaces with the Simrad unit at the helm, so that it can be controlled through the Simrad unit as a central hub and leave more open space on the console.

If your boat has a Fiberglass T-Top, the aft pair of speakers (the left two speakers in the figure to the left) will not be located here. These two speakers will be located on the T-Top underside.

*Speakers  
(if not T-top)*



If you purchased the JL stereo upgrade option, this comes with JL speakers, a four channel amplifier for your pair of 8" subwoofers. An 8 channel amp to power your speakers

# SPORTSMAN

# Electrical & Plumbing Systems

## Trim Tabs

Your Open 232 has trim tabs installed as a standard feature. They are attached to the bottom edge of the transom, as shown in the image below. When the trim tabs control at the helm (pictured to the right) is pressed, the trim tabs automatically move into position. The force of passing water on these tabs results in upward pressure at the transom, which will lower the bow. This helps to improve the performance of the boat in a wide range of weight, weather, and water conditions.

The LEDs on the control panel indicate the position of the tabs. If all are lit up, that tab is all the way down. The port and starboard tabs may be operated independently if necessary. To lower the starboard bow, lower the port tab. To lower the port bow, lower the starboard tab. The lights on the left indicate the port tab position, and the lights on the right indicate the starboard tab position.



Control Panel

Trim Tabs





# Electrical & Plumbing Systems

## Trim Tabs

***If you keep your boat in a wet slip/marina environment.  
Here is a list of different anodes recommended for various water  
types to prolong the life and shine of your stainless steel tab. Never  
use a wire brush to clean your tab***

### **Zinc Alloy Anodes = Salt water only**

Not recommended for use in fresh water

Alloy is manufactured to meet or exceed US Military Specification (MIL-A-18001K)

### **Aluminum Alloy Anodes = Salt or Brackish water**

Not recommended for use in fresh water

Proven to last longer than zinc due to increased capacity

Alloy is manufactured to meet or exceed US Military Specification (MIL-A-24779(SH))

### **Magnesium Alloy Anodes = Fresh water only**

Not recommended for use in salt or brackish water



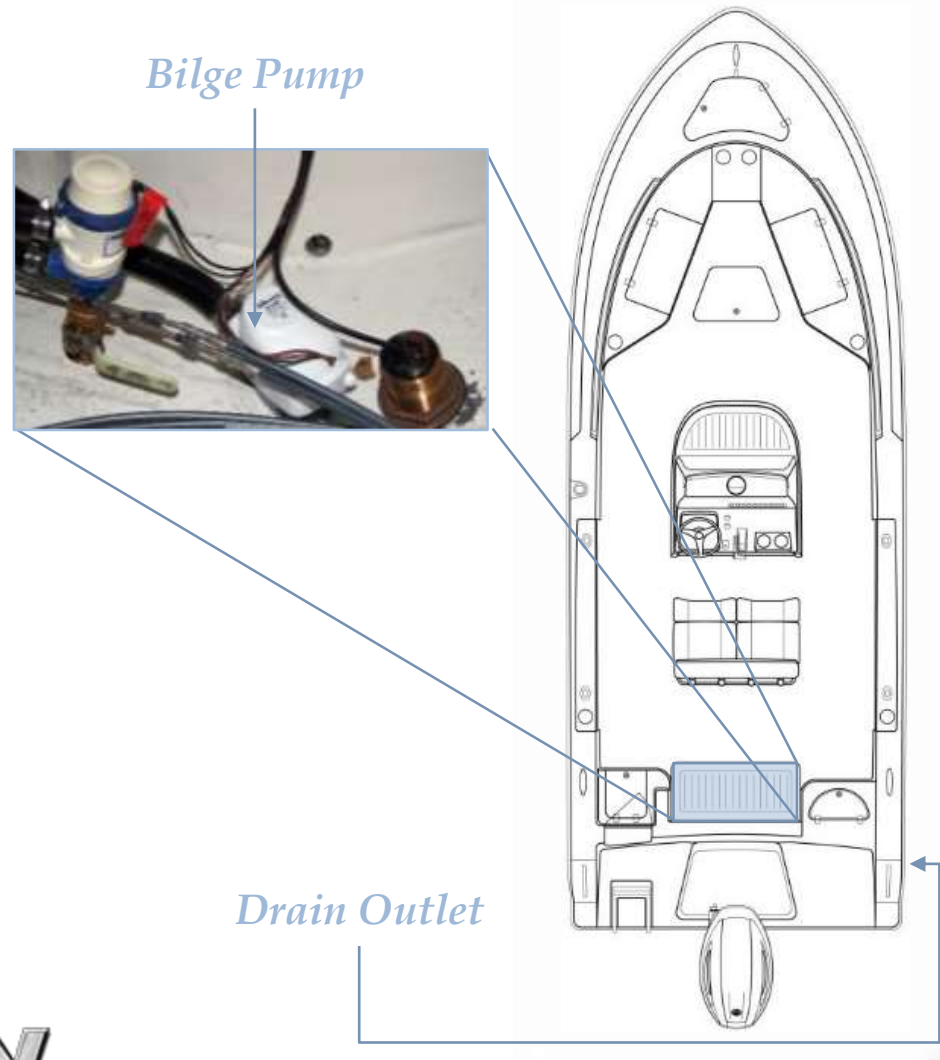
*Trim Tabs*



# Electrical & Plumbing Systems

## Bilge Pump

A small bilge pump is located on the hull bottom at the stern of your boat. Water is pumped out of a thru-hull fitting located on the starboard side of the boat near the transom. The pump may be accessed by removing the aft seat and door, in the area shown to the right. You may turn your bilge pump on manually by flipping on your bilge switch located on the switch panel at the helm. Additionally, the bilge pump utilizes a float as an automated switch to turn it on automatically if necessary when the boat is unattended. The bilge pump is designed to remove excess water **only**, and it is **not** intended to stop or prevent rapid accumulation of on-board water due to rough weather, hull damage, or any other unsafe navigational conditions.



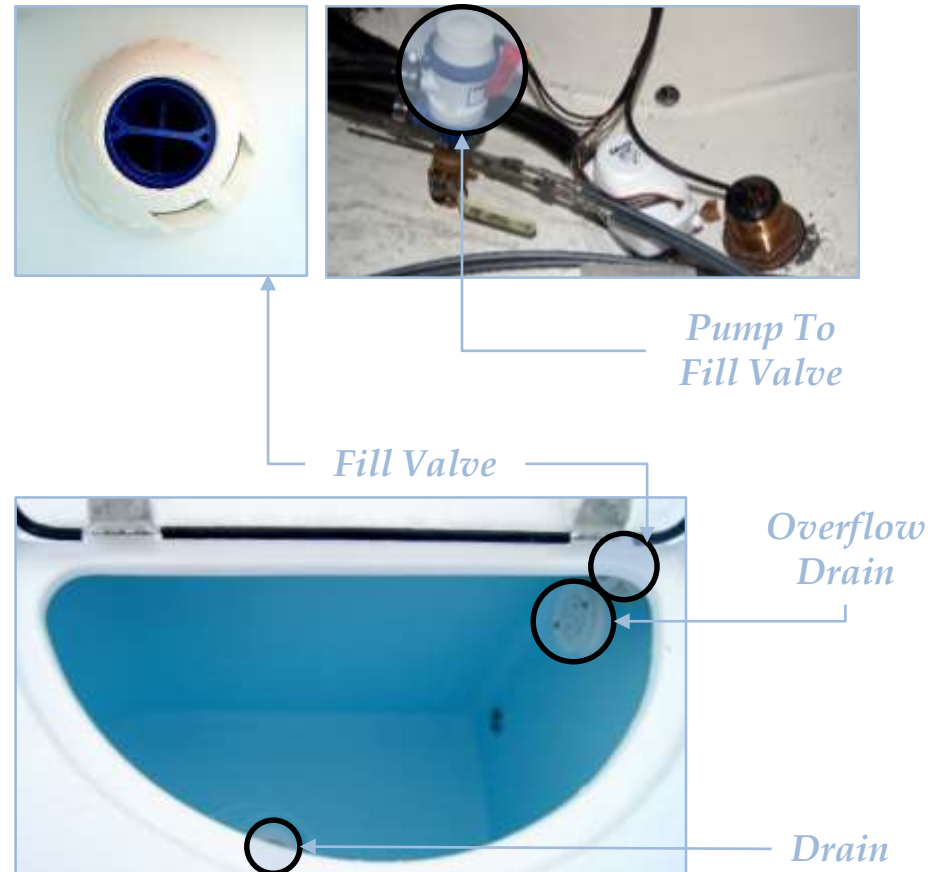
**SPORTSMAN**



# Electrical & Plumbing Systems

## Livewells

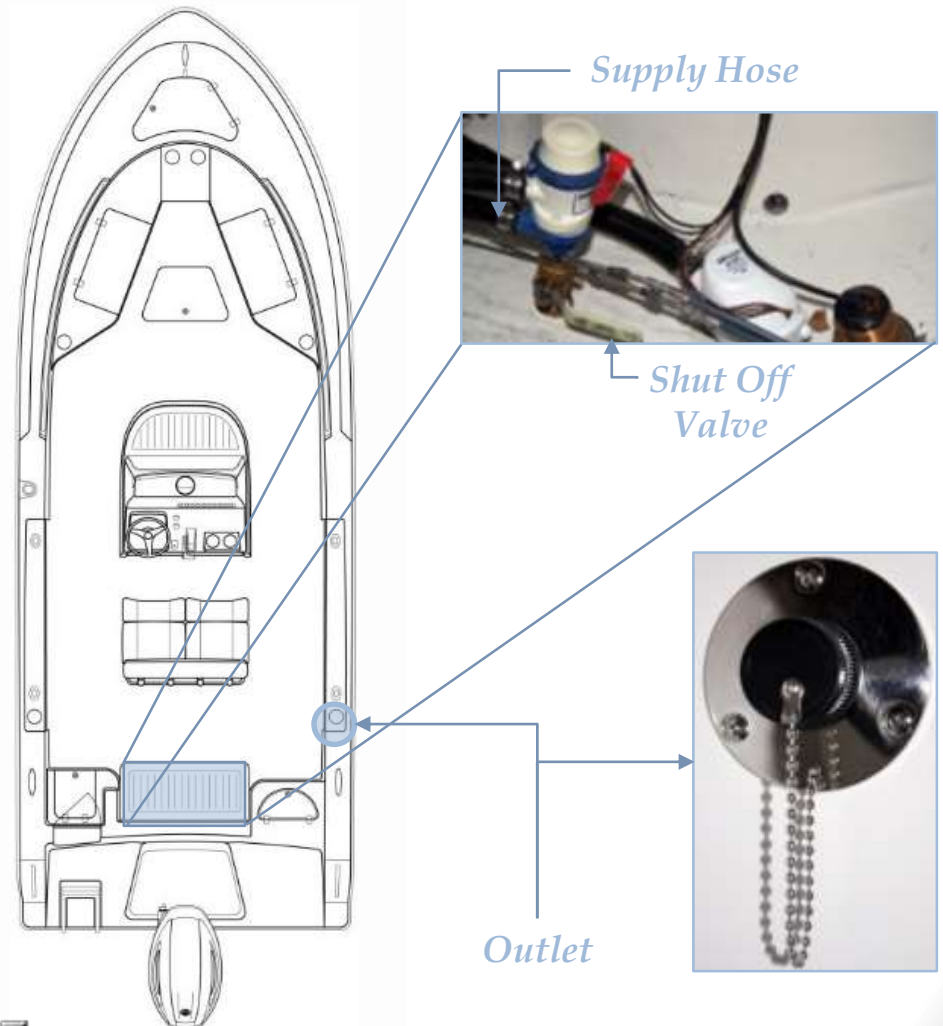
The Sportsman Open 232 comes with a 25 gallon livewell at the starboard stern of the boat. For easy access to the pump and plumbing system, open the total access hatch forward of the transom. The livewell pump is located next to the bilge pump in the hull of the boat, and the livewell fill hose is connected to the top of the pump. To operate the livewell, open the pump valve in the bilge, turn on the livewell switch at the helm, and turn the fill valve in the livewell to "open." The livewell is equipped with an overflow drain so water cannot exceed a certain level and overflow. The overflow drain is connected to the main drain line at a 'T' joint, which empties out an outlet drain at the stern of the boat. Additionally, the livewell has LED lighting installed. To illuminate the livewell, turn on the switch at the helm.



# Electrical & Plumbing Systems

## Raw Water Wash-down

Your Open 232 has the raw water wash-down installed as a standard feature. Rinsing your boat immediately after use with a powerful water jet helps to maintain the boat's condition and value. This system supplies water via a hose connected to bottom of the same pump that supplies water to your livewell with a shut off valve in the bilge area in the total access hatch. To operate the wash-down system, start by opening the valve mentioned above. Then turn on the switch labeled "WASHDOWN" on the switch panel at the helm. The wash-down outlet is found on the starboard side of the boat under the gunwale. See the figures here for important feature locations for the raw water wash-down system.

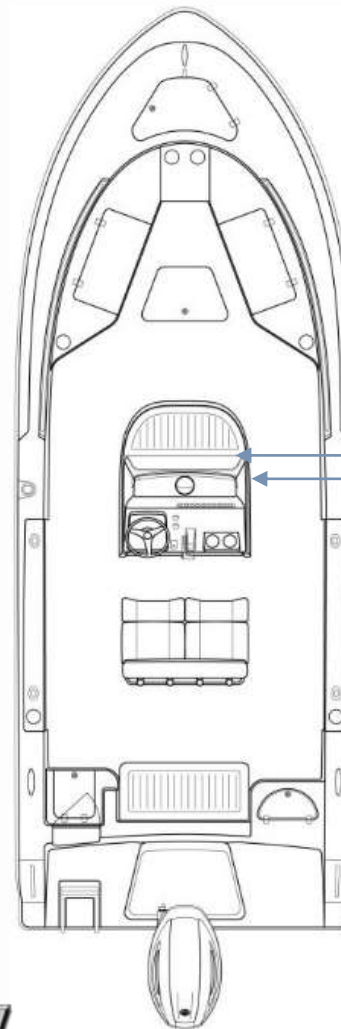


**SPORTSMAN**

# Electrical & Plumbing Systems

## Fresh Water Wash-down

Your Open 232 may have the freshwater wash-down installed as an option. The freshwater fill fitting and outlet are marked and located on the starboard side of the console. The tank is located under the console. **Do not leave the tank full if your boat will be left unattended for an extended period of time;** pump the tank dry to avoid stagnant water in the tank if necessary. It is also important to periodically inspect and clean the filter, which is located on the pump inside the console. To operate this system, turn on the switch labeled "ACCESSORY 2" at the helm. This will pressurize the system for use. When the tank is empty or the boat is not in use, ensure that this switch is in the off position. See the figures here for important feature locations for the freshwater wash-down system.



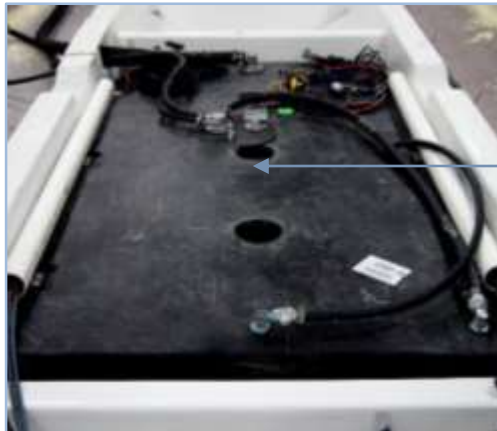
**SPORTSMAN**

# Fuel System

## Fuel Tank

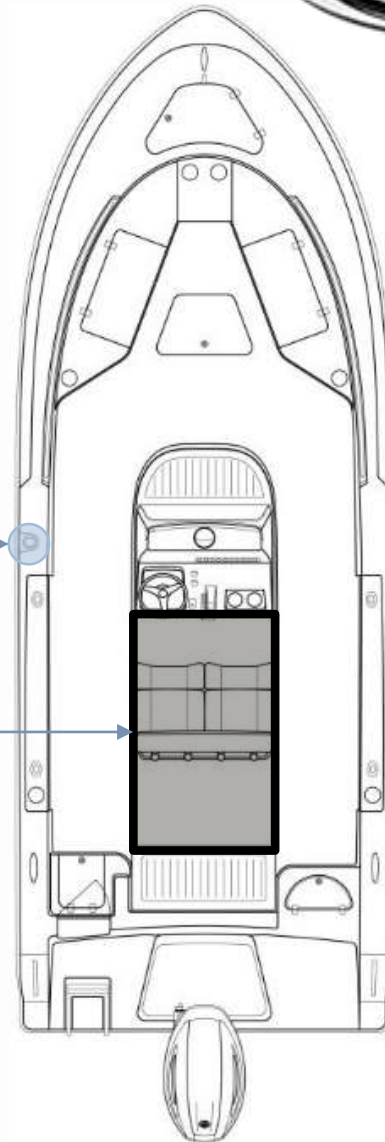
The Sportsman Open 232 comes with a fuel tank installed (98 approximate usable gallon capacity). The gasoline fuel system consists of a fuel tank (located underneath the helm seat as shown in the figure), anti-siphon valve, engine fuel supply line, and fill cap. Your boat contains a new EPA certified fuel system. The system prevents spit-back when filling the tanks and lowers the out gassing emissions through a vent in the new designed fuel fill cap.

*Note: This photo was taken during the assembly process. At this stage, some of the hoses had not yet been connected. In your boat all lines and hoses will be connected as necessary.*



Fill Cap

Fuel Tank



**SPORTSMAN**



# Fuel System

## Diurnal Fuel System



## EPA DIURNAL FUEL SYSTEMS

**NOTE: Pressure may be present when opening your deck fill, regardless of system type.**



### **Only open the fuel cap for refueling**

Note: The first time fuel is introduced to a fuel tank, be aware of the interaction of cold raw fuel vapors replacing air, on occasion a vapor pressure can occur producing spit-back anomalies!

### **What is a diurnal fuel system?**

Your new vessel is equipped with an Environmental Protection Agency (EPA) compliant diurnal fuel system, designed to reduce fuel emissions to atmosphere using criteria mandated by the EPA. Your vessels fuel tank is required and designed to have a positive pressure (>1PSI) as the sun heats the boat and the fuel in the tank expands or it may be equipped with a carbon canister to catch and contain fuel vapors

Your boats fuel tank also has valves installed inside that are designed to:

1. Produce a clean refueling shut off event
2. Create a 5% vapor space
3. Reduce the propensity of a refueling spit-back event.
4. Allow for appropriate venting when the vessel is stored or trailered. Your fuel cap also contains valves designed to retain fuel vapor (up to 1PSIG) and to allow make up air during engine operation

# SPORTSMAN



# Fuel System

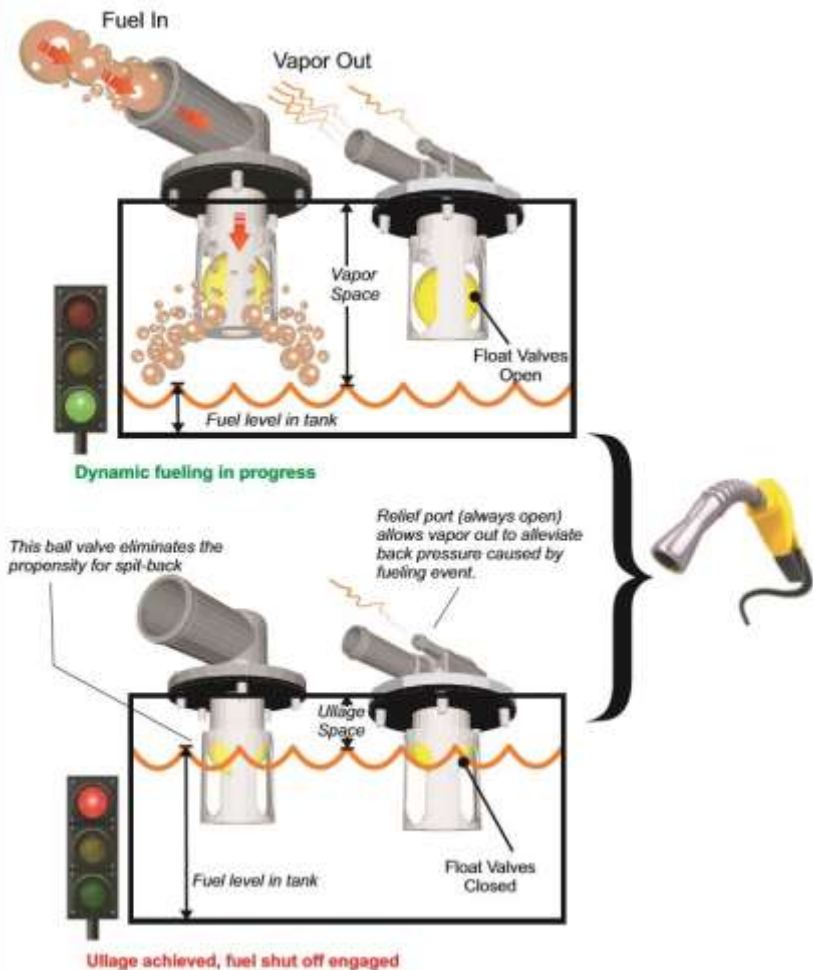
## Diurnal Fuel System (cont'd)

### Vapor Space (Ullage) And Refueling Management

Another fuel system necessity to remain EPA compliant it is to keep elevated temperature gasoline from expanding into fuel system areas that are not low permeation rated or otherwise sensitive to raw fuel. A vapor (or ullage) space must be produced at the completion of the filling or refueling operation to ensure systems remain EPA compliant during the diurnal temperature cycle. To effectively manage this system function, BluSkies has created a series of valves that can mount to any marine fuel tank to achieve the appropriate fill level while maintaining ullage space of ~5%. Additionally these valves eliminate the propensity for refueling "spit-back" or tank "well-back", which is another requirement of the EPA regulation. BluSkies primary ullage valves replace the existing fill and vent locations, while additional grade or tip level valves can be added to any tank to meet American Boat And Yacht Council standards (H-24) which allows vapor venting for boats slanting or sloping when stored, moored, parked or trailered.

The final decision on which system type and ullage valve type and placement that is best for your application should be based on application specific factors such as type and configuration of fuel tank, how much room there on board is for added components, how are the boats likely to be used and stored etc. and of course cost.

Choose individual components to create a compliant system from the following pages or you can turn to our specialists for sound guidance and direction as you go through the process to choosing the appropriate system for your particular vessel application.



# SPORTSMAN

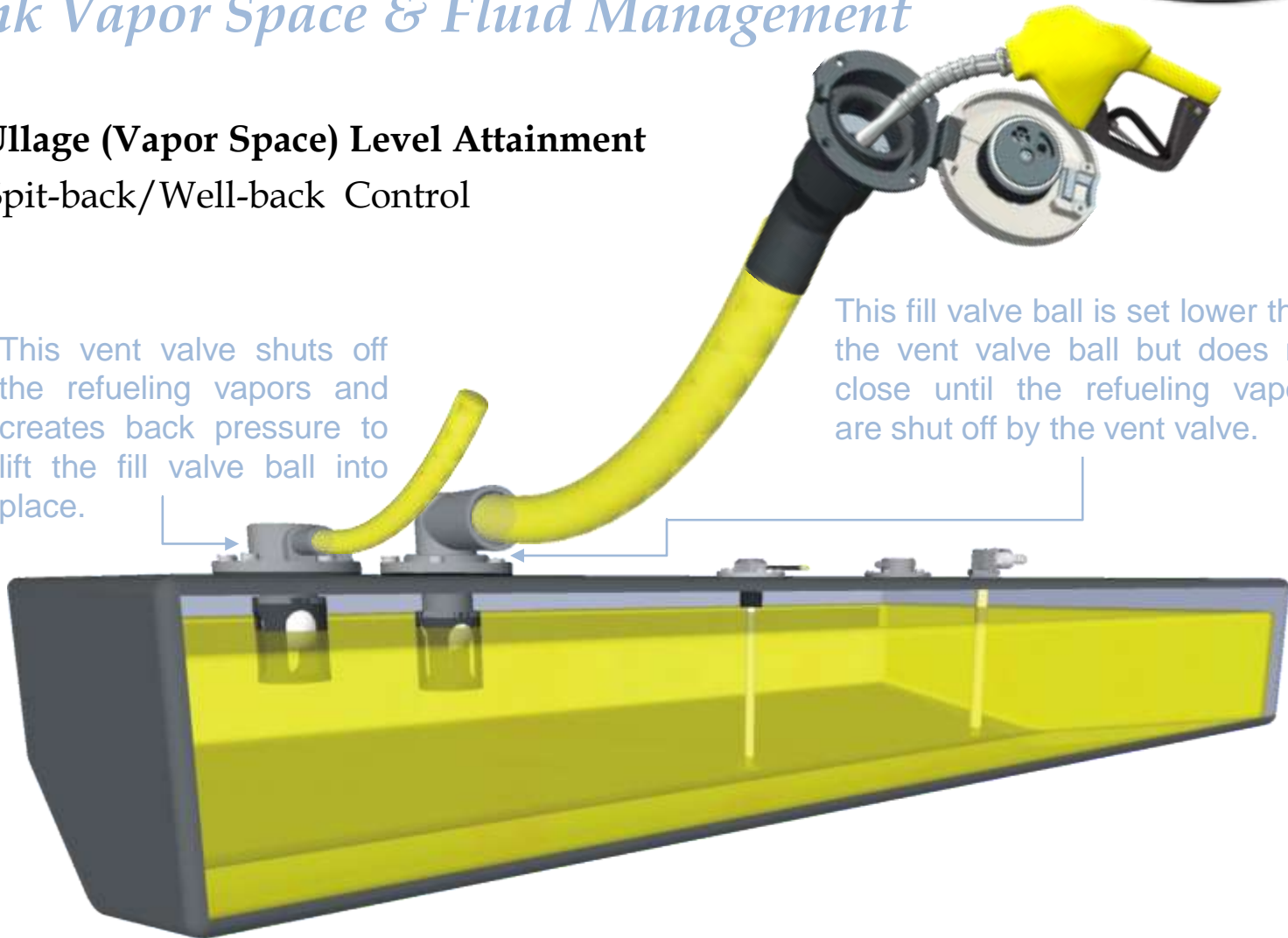
# Fuel System

## Tank Vapor Space & Fluid Management

### Ullage (Vapor Space) Level Attainment Spit-back/Well-back Control

This vent valve shuts off the refueling vapors and creates back pressure to lift the fill valve ball into place.

This fill valve ball is set lower than the vent valve ball but does not close until the refueling vapors are shut off by the vent valve.



**SPORTSMAN**





# Fuel System

## Diurnal Fuel System: Refueling

Your fuel tank capacity will vary from the label or published capacity no less than 5% by law and up to 10% dependent upon the variation from static float due to equipment, occupants and gear etc. (Static Float = attitude in which your boat floats in calm water)

**Fill your vessel fuel tank as normal, stop refueling after two (shut off) clicks of the fuel nozzle.**

Topping off will over ride your fuel system design intent and could cause damage to your vessel due to overflow and will void any and all warranty claims related to fuel spillage.

BluSkies is expressly not responsible for any damage to your vessel subsequent to topping off.

### **WARNING**

**CONTENTS CAN BE UNDER PRESSURE  
AVOID SERIOUS INJURY OR DEATH FROM  
FIRE OR EXPLOSION  
OPEN SLOWLY IN WELL VENTILATED AREA  
NO SMOKING OR OPEN FLAMES**

It has been a common practice for many years to top off boats prior to storage or in preparation for a day on the water, however diurnal fuel systems are designed specifically to leave a space in your fuel tank to allow the fuel to expand during the heat of the day. GASOLINE EXPANDS 5%.

### **REFUELING**

**GASOLINE CONTENTS UNDER PRESSURE. FUEL SPRAY MAY OCCUR.**

1. OPEN CAP SLOWLY
2. INSERT FUEL NOZZLE
3. BEGIN & CONTINUE FUELING UNTIL FUEL NOZZLE KICKS OFF
4. WAIT 10 SECONDS & CONTINUE FUELING UNTIL NOZZLE KICKS OFF A SECOND TIME
5. RETURN NOZZLE TO PUMP
6. DO NOT TOP OFF

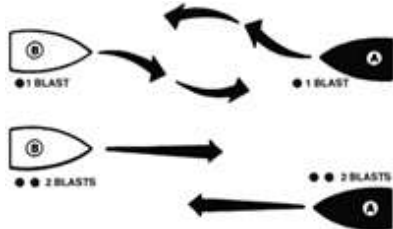
# SPORTSMAN



# Boating Navigation Rules

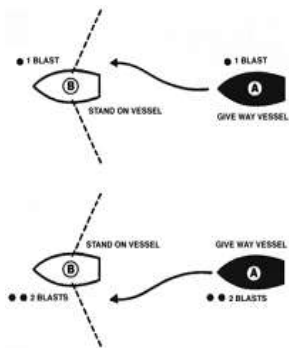
There are three main situations that you may encounter with other vessels which could lead to a collision unless the Steering Rules are followed:

- Meeting**: you are approaching another vessel head-on
- Crossing**: you are travelling across the path of another vessel
- Overtaking**: you are passing or being passed by another vessel

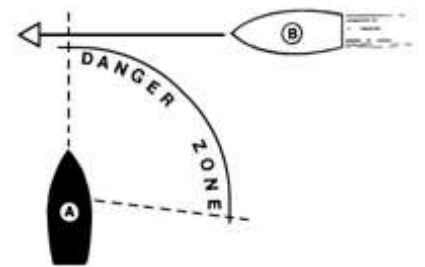


*When Meeting Port-to-port:* Continue on course. The same holds true for meeting starboard-to-starboard.

*When Meeting Head On:* As in a car, both stay to your right and as far apart as practical. Each boat should turn to starboard and pass port-to-port.



*When Crossing:* Every boat has a "Danger Zone" from straight in front (the bow) to past the middle of its right side. Like when meeting another car at a street intersection, the one on the right has the right of way. You must yield to boats in your Danger Zone. If you are the skipper of the Vessel A in the center of the diagram, you must keep out of the way of any boat that approaches you from any direction within the indicated Danger Zone, as you are the burdened craft. Likewise, boats approaching you from all other directions, except the meeting vessel, must keep clear of you.



*When Overtaking Another Boat:* The boat being overtaken is the privileged vessel. Only after signaling and receiving an acknowledgment can the overtaking boat pass. (Use one blast to pass on the right, and two blasts to pass on the left.)

*When Being Overtaken:* Be ready for trouble when a power boat passes you in a narrow waterway. As the lead boat, which always has the right of way, stay on your side of the channel and maintain a steady speed so that the overtaking vessel can pass you safely. Use your radio to discuss this with the passing boat.



# Warranty and Services

## *Product Changes*

Sportsman is committed the development of our product line. As a result, equipment described in this manual may have changed or no longer may be available. All information, illustrations and specifications contained in this manual reflect the latest product information available at the time of publication. Sportsman reserves the right to make changes to its boats at any time, without notice. These changes include, but are not limited to: color options, materials, standard and optional equipment, specifications and model availability. If you have any questions about the equipment on your boat, please feel free to contact Sportsman.

## *Insurance*

In most states, the boat owner is legally responsible for damages or injuries they or anyone else operating the boat causes. Some states have laws that require having at least minimum coverage. Before using your boat for the first time, you should contact your dealer, current insurance company, or state boating authority for information regarding insurance requirements in your area. Although it may not be required in your area, responsible boat owners carry liability and property damage for their boat. You should also protect the boat against physical damage and theft.

## *Service*

All warranty work must be performed by an authorized Sportsman Dealer. If a problem is discovered upon taking delivery of, or develops during routine use of the boat that is related to faulty workmanship and/or materials, as stated in the warranty, you need to contact your Sportsman dealer to arrange for your boat to be repaired. **The boat owner is responsible for delivering the boat to the dealer for warranty service.** If you are not near your dealer or any other authorized Sportsman dealer, please contact Sportsman. Likewise, if the dealer fails to repair the problem, please notify Sportsman within 14 days of the work being completed. **Sportsman will not reimburse owners for unauthorized warranty work.**



# Warranty and Services

## **SPORTSMAN BOATS LIMITED WARRANTY**

**Ten-Year Hull Limited Warranty:** This limited Warranty applies to any Structural Hull Defect (as that term is defined below) if such is due to a failure in material or workmanship and the was reported to Sportsman according to the terms of this Limited Warranty within ten (10) years from the date of the sale to the original purchaser of the Sportsman authorized dealer. Sportsman, in its sole discretion, will either repair or replace the Hull. For purposes of this Limited Warranty, the term “Hull” shall mean the single fiberglass molded shell and integral structural components of a Sportsman Boat, and the term “Structural Hull Defect” shall mean a substantial defect in the Sports Boat’s Hull that causes the boat to be unfit or unsafe for general use as a pleasure craft under normal operating conditions.

**One Year Nonstructural Limited Warranty:** This Limited Warranty applies to any Nonstructural Defect (as that term is defined below) if such is due to a failure in material or workmanship and the same was reported to Sportsman according to the terms of this Limited Warranty within one (1) year from the date of the sale to the original purchaser of the Sportsman Boat by a Sportsman authorized dealer. Sportsman, in its sole discretion, will either repair or replace the defective component. For purpose of this Limited Warranty, the term “Nonstructural Defect” shall mean a substantial defect in a Sportsman Boat’s components manufactured or installed by Sportsman (other than the Hull) that is not excluded in the exclusions below.

**Registration and Transfer of Limited Warranty:** Each original purchaser of a Sportsman Boat shall complete and return the boat registration card provided by Sportsman within thirty (30) days of such owner’s purchase of the boat in order to facilitate the processing of warranty claims and for manufacture notification. Except where a Sportsman Boats has been salvaged and resold after a declaration of a total loss or a total loss or a constructive total loss, this Limited Warranty is transferrable to a subsequent owner of the Sportsman Boat. PROVIDED SUCH SUBSEQUENT OWNER FILL OUT AND SEND TO SPORTSMAN A SPORTSMAN WARRANTY TRANSFER FORM (AVAILABLE FROM SPORTSMAN ON REQUEST). A COPY OF THE BILL OF SALE, WHITHIN THIRTY (30) DAYS OF SUCH TRANSFER OR PURCHASE.



# Warranty and Services

## **SPORTSMAN BOATS LIMITED WARRANTY (cont'd)**

### **EXCLUSIONS:**

This limited Warranty does not apply to any boat that has been salvaged or declared a total loss or constructive total loss for any reason not specifically covered in this Limited Warranty. In addition, this Limited Warranty does not apply to the following "Exclusions:"

- 1) A Hull, component, or other product that has been repaired without authorization of Sportsman or that has been altered in any way that affects its use and operation;
- 2) Expenses related to inspection or warranty service for hauling out, transportation to and from any dealer or Sportsman factory, towing or storage charges, inconvenience or loss of time or income;
- 3) Engines, outdrives, controls, propellers, engine brackets, stereos, depth finder, GPS units, trolling motors, batteries, outriggers bases' and other equipment or accessories that are not manufactured by Sportsman, whether the same is or is not warranted by such other manufacturer;
- 4) Blistering, discoloring, cracking, or crazing of the Gelcoat finish or other surface finishes
- 5) Any Sportsman Boat initially sold at retail by a party other than an authorized Sportsman dealer;
- 6) Damage to, breakage of, or leakage around any windshields, hatches, or apertures;
- 7) Any canvas, zippers, vinyl, upholstery, plastic, or fabric components;
- 8) Discoloration, oxidation, bleeding, or corrosion of any stainless steel or other metal products
- 9) Any Hull, component, or product that has been subject to unreasonable use, tampering, abuse, mishandling, improper maintenance, negligence, improper trailing, alterations, or accidents;
- 10) Any boat, or component or part thereof, that has been used for Commercial Purpose, racing purposes, or has otherwise been operated contrary to any printed instruction provided by Sportsman or contrary to any applicable law (for purposes of this Limited Warranty, the term "**Commercial Purposes**" shall mean the usage of any boat more than fifty percent (50%) for revenue-producing or other business purposes);
- 11) A boat, or component or part thereof, that has been overpowered according to the maximum recommended engine horsepower specified on the capacity plate attached to the boat;
- 12) Machinery, equipment and accessories not installed by Sportsman;
- 13) Condensation of gauges;
- 14) The failure of any part, area, or component of the boat to be dry, whether or not the same was represented as "dry";
- 15) Any representation relating to the speed or weight of any part or component of the boat;
- 16) Normal wear and tear maintenance items, including, but not limited to, filters bulbs, batteries, bungees, anchor rope, trailer finishes, tires, brakes, bearing, and lights;
- 17) Any defect or repair requiring redesign of the boat, except pursuant to the recall provisions of the United States Federal Boat Safety Act of 1971 or the recall laws of the recall laws of any other foreign jurisdiction;
- 18) Dealer preparation, cleaning, and final adjustments and alignments in preparing the boat for delivery or commissioning; or
- 19) Any act of God or force majeure.

Thank you for your purchase of your Sportsman Boat.

Sportsman Boats Manufacturing, Inc.  
113 Isaac Way · Summerville, South Carolina 29483  
Telephone (843) 376-2628 · Fax (843) 376-2636

Email  
*sales@sportsmanboatsmfg.com*

Website  
*www.sportsmanboatsmfg.com*

P.O. Box 2100  
Summerville, SC 29484



***SPORTSMAN***